

Emergency Power Pack - Installation Instructions

Before starting installation, please read these instructions carefully. Failure to follow them could lead to risk of injury or electrical shock. Please retain them for your future reference.

Safety Notes



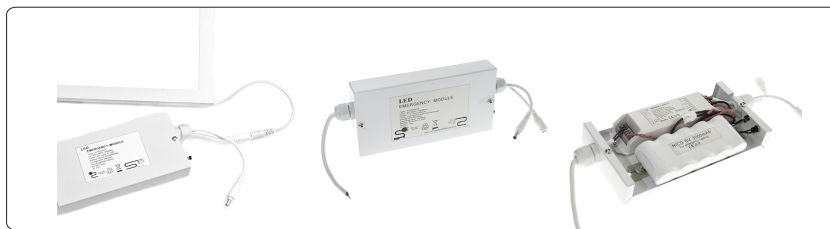
- Pay extra attention to the negative and the positive pole of the battery in order to prevent reverse operation, please use designated and matching batteries and ensure all wiring is done correctly and stable before use.
- If you need to do product testing, unplug the battery pack when the emergency device is disconnected from the mains supply, and then plug in the battery after the emergency device is completely shut down.
- Comply with the wiring connection circuit diagram completely, prevent over loading and non loading in the process of use & testing.
- To prolong the battery lighting time, switch off all indicator lights during normal use with the emergency power system in standby mode.
- The battery is not charged before leaving the factory; please charge the battery longer than 24 hours before use.
- Generally, the battery needs to be fully charged and discharged 3-5 times in order for the Ni-CD/Ni-MH battery to operate at full capacity.
- Do not leave the battery idle for a long time, especially when it is flat. Charge it completely when it is out of operation for a long time.

Product description

LED Emergency Lighting Power supply is tailor-made for LED Down lights/LED panels/LED spotlights with an external driver.

The emergency power kit includes the inverter, battery pack and the necessary accessories.

The control circuit monitors the mains supply, if the light works as normal, the inverter allows the charger to trickle charge the battery pack in standby mode. In the event of an accident or other emergency which results in the AC power supply to fail, the inverter automatically activates the battery backup system and switches the light on in less than 0.1 second. The system is set on an emergency running time of 3 hours .



Range of Application

1. This product is applicable for LED Emergency lighting with an external driver, output power is 5w, Emergency duration is 3 hours.
2. Used at -25-+70 environment temperature.

Product Specification

- Adopts intelligent IC control circuit, emergency power automatically lights on in case of a power outage and converts to charging status when electric power is restored.
- The output voltage is DC12V-60V.
- Emergency power is provided for a minimum of 3 hours.
- The efficiency is as high as 90% by adopting the reverse inverter and switch power, power is less than 0.5 watts in standby mode.
- The system can provide up to 30w output power.
- High quality of Ni-CD/MI-MH rechargeable battery with 3 years of life.
- Emergency conversion is fast the conversion time is less than 0.1 seconds.
- Products are passed CE, EMC, ROHS, etc.

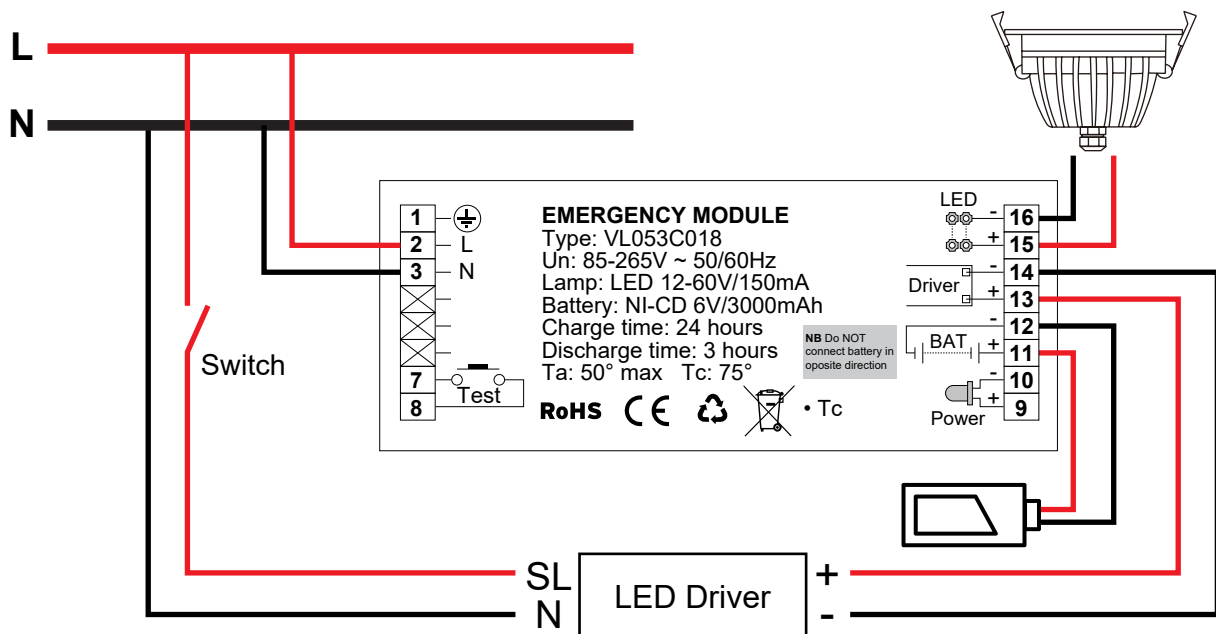
Technical Specification

Inner package material:	Retardant White PC
Charging power:	AC85V-AC275V, 50HZ/60HZ
Emergency time:	3 hours
Emergency conversion time:	Less than 0.1Sec
Charging time:	24h
Emergency output constant current:	5W/100mAh
Battery capacity:	6V/3000mAh
Emergency output voltage:	DC12V-60V
Protection:	Short circuit/Over-charge/Over-discharge
Outer metal box:	Equipped
Inverter dimension:	155×40×30mm
Battery dimension:	120×45×25mm
Outer box dimension:	200×100×33mm
Product weight:	1000g(With outer box)

Installation

1. LED emergency power kit is designed as split type emergency power for convenient installation and usage.
2. LED emergency power kit consists of inverter, battery pack, metal casing, test button, LED indicator and waterproof joint or connector.
3. L (line) and N (neutral) must be charged frequently, external connection with control switch is prohibited.
4. SL (switch line) is the illuminated lighting controller which can be connected with a switch to control lamp on and off.

Wiring



Maintenance

When this product has reached the end of its life it must be treated as Waste Electrical & Electronics Equipment (WEEE). Any WEEE marked products must not be mixed with general household waste, but kept separate for the treatment, recovery and recycling of the materials used. Contact your local authority for details of recycling schemes in your area.

