

HIGEN SERIES DRIVERLESS LED HIGH BAY LIGHTS

The Lightwell driverless LED High Bay Lights are designed for factories, stockrooms, supermarkets, gyms, gas stations, warehouses, and other commercial premises. With an IP65 rating these lights are waterproof and can be applied both indoors and outdoors. Our outstanding high bay lights bring a higher illuminance and lower temperature to guarantee durability and a long life span, saving on repair and replacements. These high bay lights stand out with distinguished, simple style and use powerful Philips 3030 chips for achieving the highest efficiency in lighting

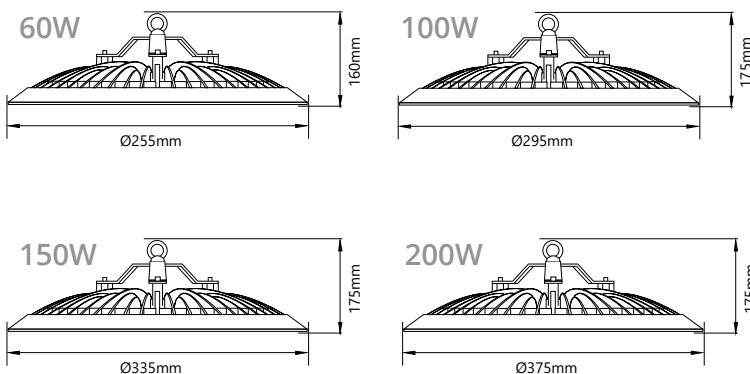
PRODUCT FEATURES

- ✓ High thermal efficient aluminium heatsink with stereoscopic ventilation
- ✓ The latest LED technology and design for performance & durability
- ✓ IP65 rated with waterproof and dust-proof breathable film
- ✓ Energy savings & reduced maintenance over HID high bays
- ✓ Environmentally friendly: no mercury or hazardous substances

PRODUCT SPECIFICATION

Code	Dimensions	Lumens	Power	Voltage	LED	CCT	CRI	Beam	IP	Material	Dimmable
HBDL/60W/PEN/CWND	ø 255*160mm	6480	60W	AC110-305V	Philips 3030	6000K	>80	120°	IP65	Aluminium	No
HBDL/100W/PEN/CWND	ø 295*175mm	10800	100W	AC190-260V	Philips 3030	6000K	>80	120°	IP65	Aluminium	No
HBDL/150W/PEN/CWND	ø 335*175mm	16200	150W	AC190-260V	Philips 3030	6000K	>80	120°	IP65	Aluminium	No
HBDL/200W/PEN/CWND	ø 375*175mm	21600	200W	AC190-260V	Philips 3030	6000K	>80	120°	IP65	Aluminium	No

DIMENSIONS



ATTRIBUTES

Wattage:	60W, 100W, 150W, 200W
Power Factor:	>0.93
Beam angle:	120°
Colour Temperature:	6000K
IP Rating:	IP65
CRI:	>80 Ra
Dimmable:	No
Driver Type:	IC Driver, DOB (Driver on Board)
Chip Type:	Philips Lumileds
Operating Temperature:	-30° ~ 50°
Frequency:	50/60Hz

