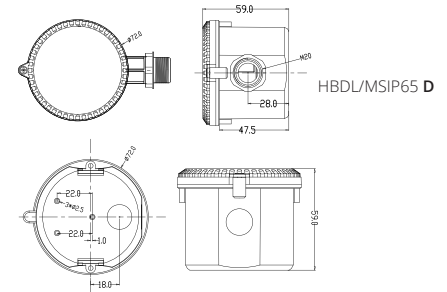
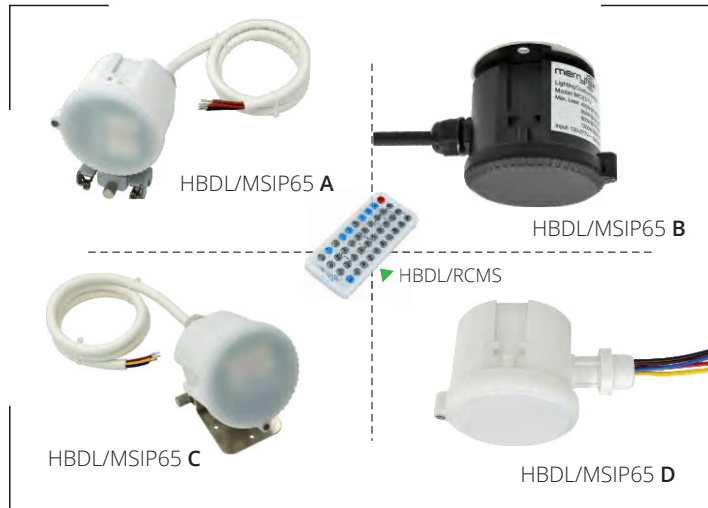
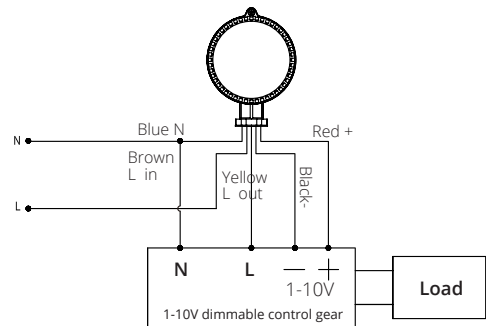


# IP65 Enhanced Detection Microwave Sensor

HBDL/MSIP65



HBDL/MSIP65 A / HBDL/MSIP65 B / HBDL/MSIP65 C



**IP65**



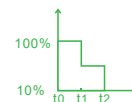
High bay & low bay



Linear & batten

## SPECIFICATIONS

Operating voltage:	347/480Vac
Rated Load:	800W@347Vac (Inductive); 1200W@347Vac (Resistive); 1200W@480Vac (Inductive); 1800W@480Vac (Resistive)
HF system:	5.8GHz±75MHz, ISM wave band
Transmitting power:	<0.5mW
Power consumption:	≤0.5W(stand-by)
Detection Area (Radius):	8m Max.
Max. Mounting height:	15m
Sensor hold time:	5s/30s/1min/3min/20min/30min
Remote control hold time:	5s/30s/1min/3min/5min/10min/20min/30min
Stand-by Period (Sensor):	0s/1min/3min/10min/30min/Disable
Stand-by Period (Remote):	0s/10s/1min/3min/5min/10min/30min/Disable
Stand-by DIM Level:	10%/20%/30%/50%
Daylight sensor:	5lux/15lux/30lux/50lux/100lux/150lux/Disable
Operating temperature:	-35°C~55°C
IP rating:	IP65



Step dimming



Normal motion detecting

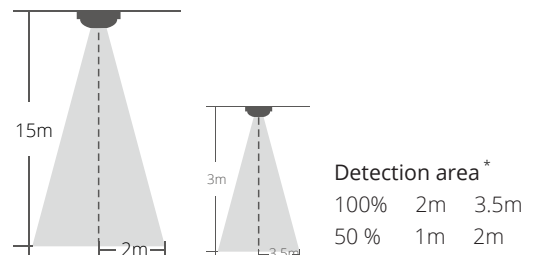


Daylight threshold



5 Year Guarantee

## Detection Pattern (max / min)

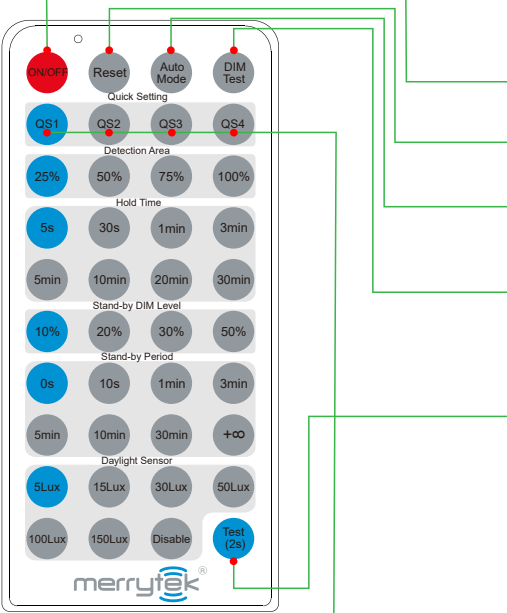


\*This data was tested by a person of 165cm height and walking speed of 1m/s.



# Remote Control For Enhanced Detection Microwave Sensor

HBDL/RCMS



Button	Remarks
	Press the "ON/OFF" button, the light goes to constant on or constant off mode, the sensor is disabled. Press "Reset" or "Auto Mode" button to quit from this mode.
	Press "Reset" button, all parameters are the same as the DIP switch setting.
	Press "Auto Mode" button, the sensor starts to work and all parameters setting will remain the same as the previous status before the light is switched on/off.
	Press "DIM Test" button to test the dimming function. The sensor will dim automatically and return to the normal work mode.
	The button "Test(2s)" is for factory testing purpose only. The sensor will go in to test mode, Detection sensitivity: 100% Hold time: 2sec stand-by dim level:10% Stand-by period: 0s Daylight sensor: Disable Test mode can be disabled by pressing any button.

Scene Options	Detection Area	Hold Time	Stand-by period	Stand-by dim level	Daylight Sensor
QS1	100%	30s	1min	10%	5Lux
QS2	100%	1min	3min	10%	10Lux
QS3	100%	5min	10min	10%	30Lux
QS4	100%	10min	30min	10%	Disable

Note: Detection area / Hold time /Stand-by period /Stand-by dim level / Daylight sensor can be adjusted by pressing the corresponding button. The latest setting will stay valid.

The Microwave Sensor's green working light will flash 3 times when the remote control is set successfully.

## INSTALLATION

As the control angle of the Infrared Remote Control is fixed (15°), if the sensors are installed too close to each other, the settings of both sensors will be configured. Please refer to the below chart for the distance of the installation of each sensor:

Mounting Height	Distance between each sensor
15m	4m
12m	3.4m
9m	2.4m
6m	1.6m
3m	0.8m

