

UFO HIGH BAY SERIES

DIMMABLE LED HIGH BAY LIGHTS

100W

150W

200W

240W

300W

The Lightwell UFO High Bay LED Lights are designed for applications up to 20 feet (6 meters) and are the ideal answer for commercial premises.

These lights use powerful Philips Lumileds for achieving the highest efficiency in lighting. With a flicker free Dimmable Mean Well Driver & an IP65 aluminium body with high thermal efficiency, these units guarantee durability and a long life span, saving on repair and replacements. They operate at 130lm/w and are designed to replace Metal Halide versions, whilst reducing energy costs by over 60%.



PRODUCT FEATURES

- ✓ IP65 rated for indoor & outdoor applications
- ✓ Meanwell HLG Series LED dimmable driver (1-10V)
- ✓ Philips Lumileds chips
- ✓ High thermal efficient aluminium heatsink
- ✓ Energy savings & reduced maintenance over HID high bays
- ✓ Environmentally friendly: no mercury or hazardous substances

PHILIPS
LUMILEDS



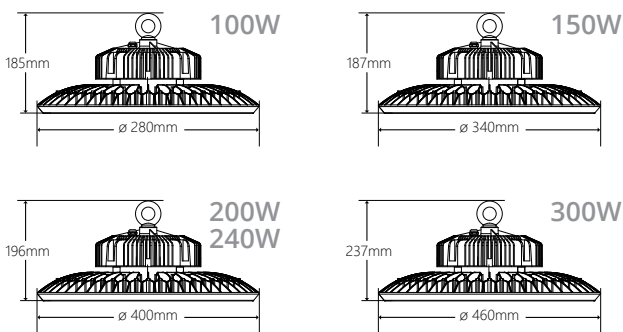
Application

Factory lighting, Stockroom lighting, Retail lighting,
Sports center lighting, Petrol station lighting,
Supermarket lighting, Stadium lighting, School lighting

PRODUCT SPECIFICATION

Code	Dimensions	Lumens	Power	Input	LED	CCT	CRI	Beam	IP	Material	Dimmable
HB/100W/PEN/CWD	ø 280*185mm	13000	100W	AC100-240V	Philips	6000K	>80	120°	IP65	Aluminium	Yes 1-10V
HB/150W/PEN/CWD	ø 340*187mm	19500	150W	AC100-240V	Philips	6000K	>80	120°	IP65	Aluminium	Yes 1-10V
HB/200W/PEN/CWD	ø 400*196mm	26000	200W	AC100-240V	Philips	6000K	>80	120°	IP65	Aluminium	Yes 1-10V
HB/240W/PEN/CWD	ø 400*196mm	31500	240W	AC100-240V	Philips	6000K	>80	120°	IP65	Aluminium	Yes 1-10V
HB/300W/PEN/CWD	ø 460*237mm	39000	300W	AC100-240V	Philips	6000K	>80	120°	IP65	Aluminium	Yes 1-10V

DIMENSIONS



ATTRIBUTES

Wattage:	100W, 150W, 200W, 240W, 300W
Power Factor:	>0.93
Beam angle:	120°
Colour Temperature:	6000K
IP Rating:	IP65
Impact Protection Rating:	IK08
CRI:	>80 Ra
Dimmable:	Yes 1-10V
Driver:	Mean Well
Chip:	Philips Lumileds
Operating Temperature:	-30° ~ 50°
Frequency:	50/60Hz